

NO.	Description	Date	By
<p>The information contained herein is the proprietary property of ERIE METAL SPECIALTIES, INC. No portion of it may be reproduced by any means or used in any form except for the purpose for which it was intended. All rights of design and invention are hereby reserved.</p>			

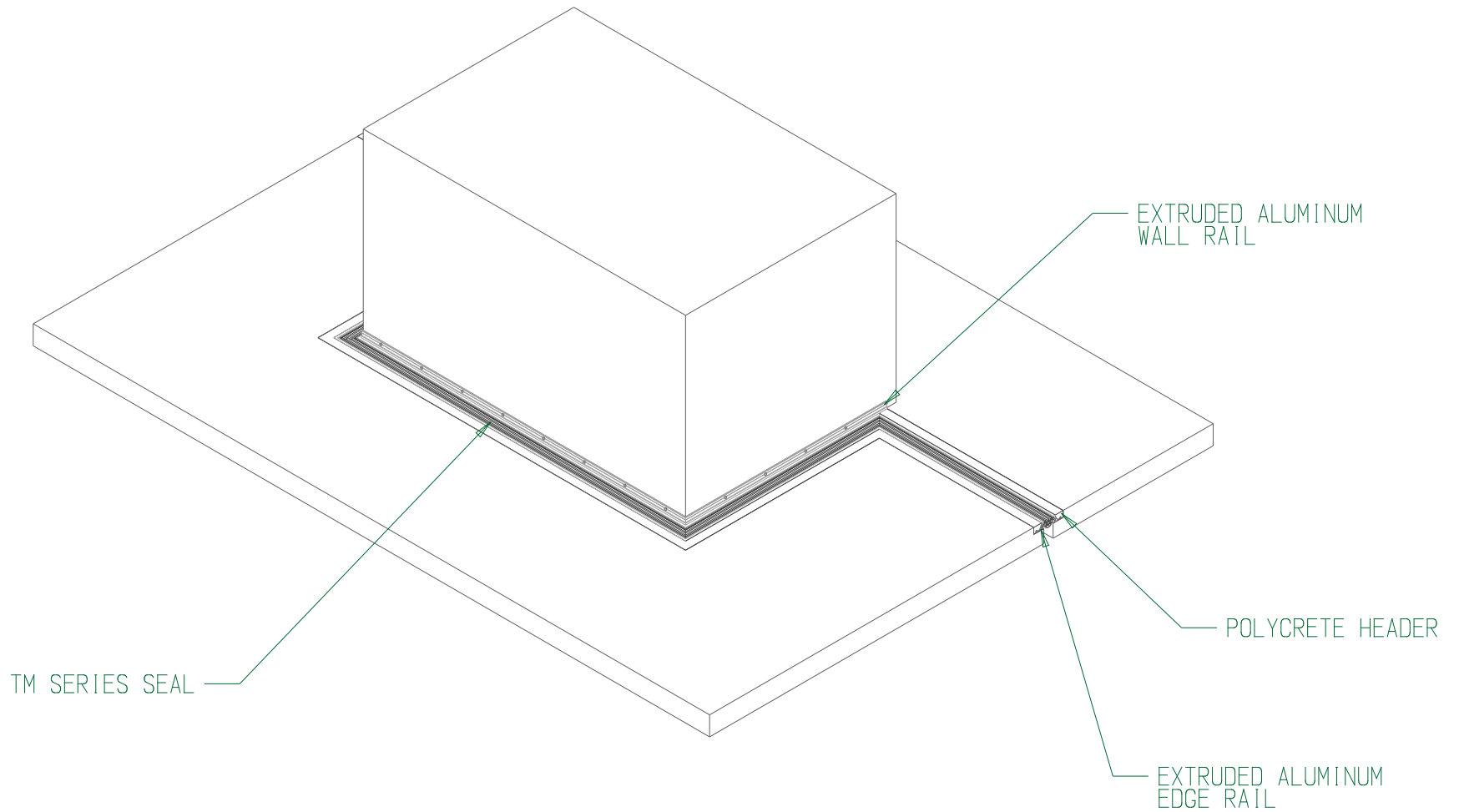


13311 Main Road • Akron • New York • 14001
 Phone: (716) 542-3991 • Fax: (716) 542-3996 • E-mail: sales@eriemetal.com

PROJECT:

TITLE: TM-300 Polycrete Aluminum Strip Seal System

Detailed by: AWG	Date: 10/9/00
Checked By: LJB	Date: 10/21/00
Scale: NTS	EMS Job #:
Sheet No.: 1 of 1	Drawing No.: CD-108



The information contained herein is the proprietary property of Erie Metal Specialties, Inc. No portion of it may be reproduced by any means or used in any form except for the purpose for which it was intended.

PROJECT:

TITLE: TM-SERIES - COLUMN DETAIL

Detailed by: GMH

Date: 7-03-07

Checked by:

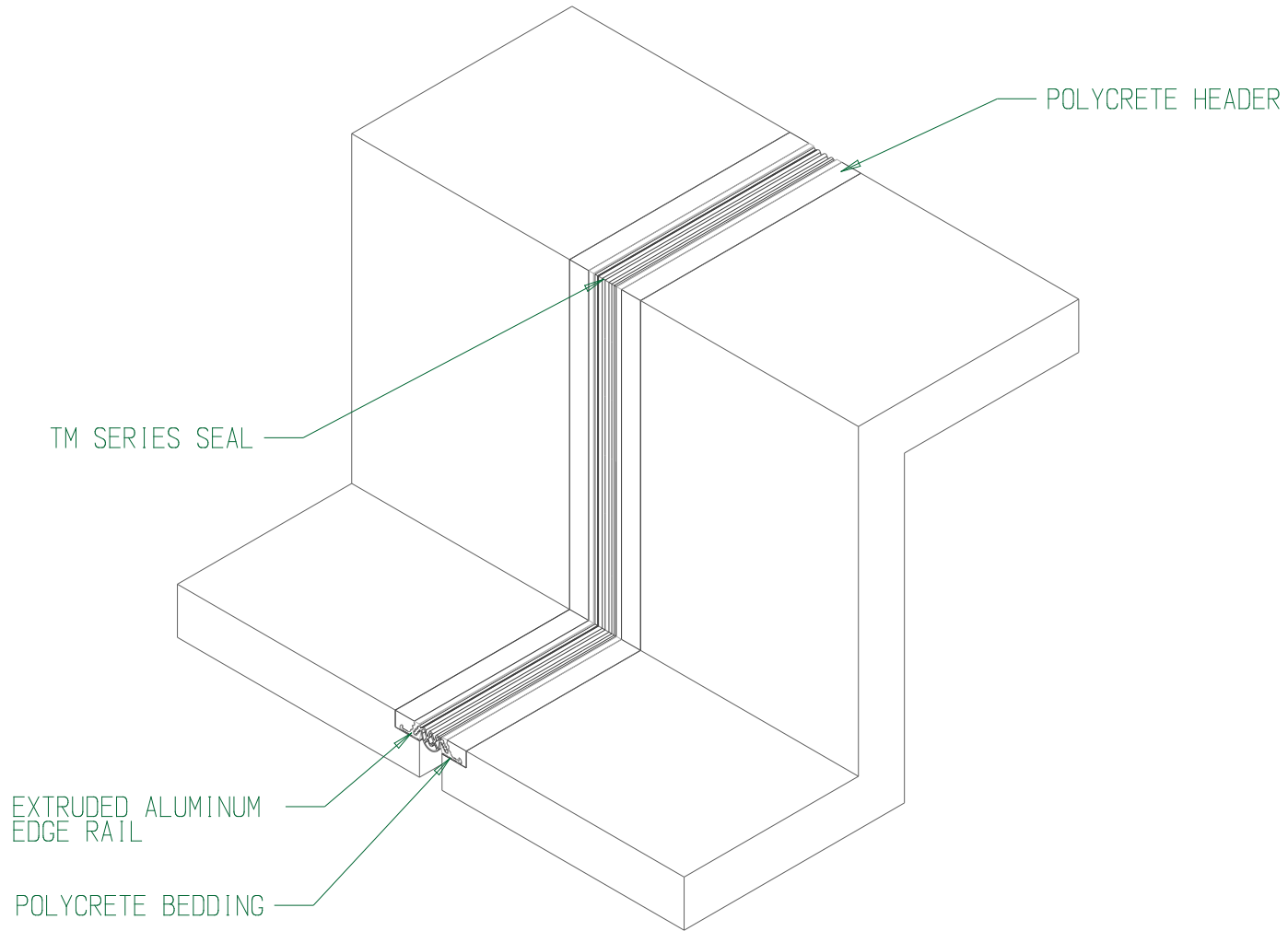
Date:

Scale: NTS

EMS Job #:

Sheet #:

Drawing #:



The information contained herein is the proprietary property of Erie Metal Specialties, Inc. No portion of it may be reproduced by any means or used in any form except for the purpose for which it was intended.

PROJECT:

TITLE: TM-SERIES - CURB DETAIL

Detailed by: GMH

Date: 7-03-07

Checked by:

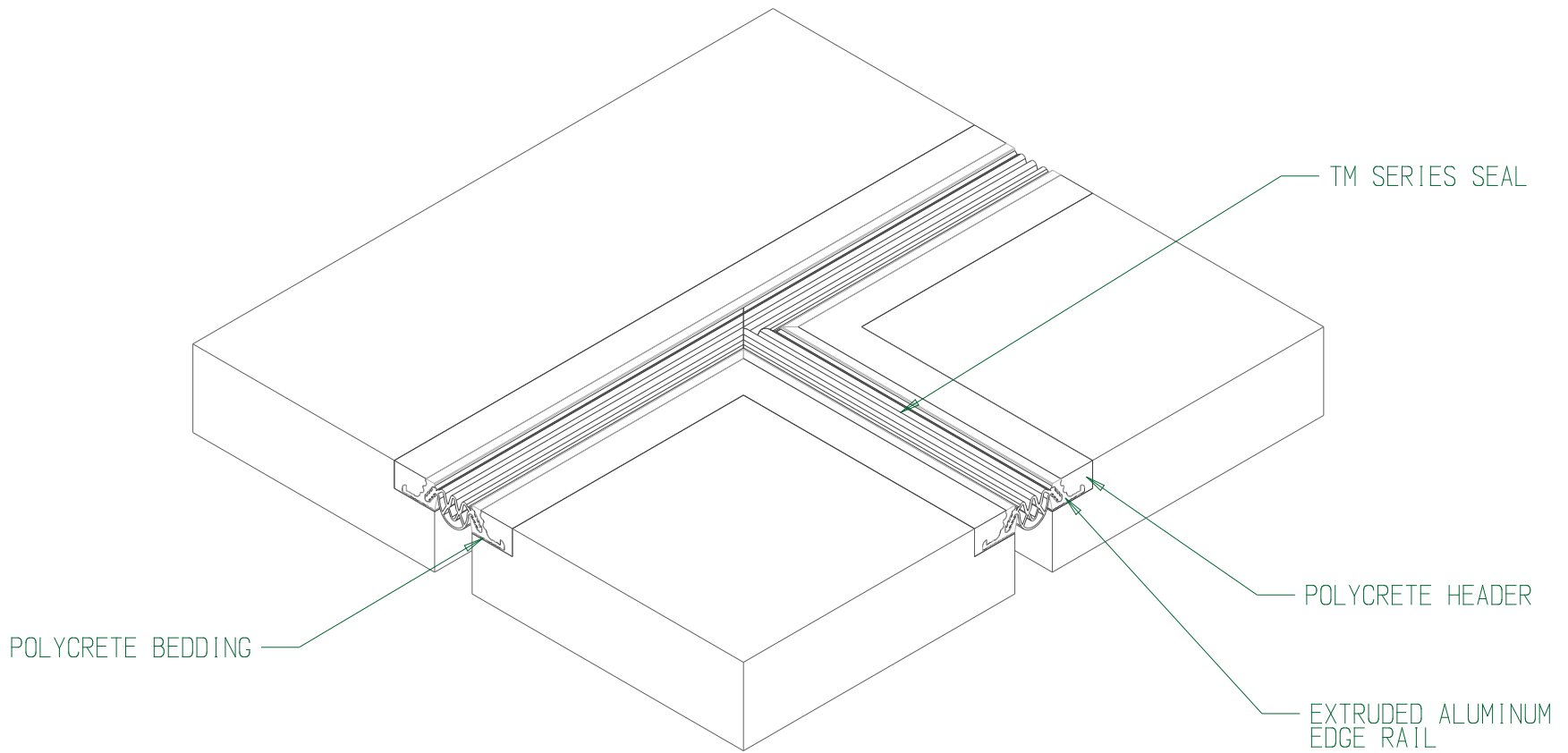
Date:

Scale: NTS

EMS Job #:

Sheet #:

Drawing #:



The information contained herein is the proprietary property of Erie Metal Specialties, Inc. No portion of it may be reproduced by any means or used in any form except for the purpose for which it was intended.

PROJECT:

TITLE: TM-SERIES - T INTERSECTION DETAIL

Detailed by: GMH

Date: 7-03-07

Checked by:

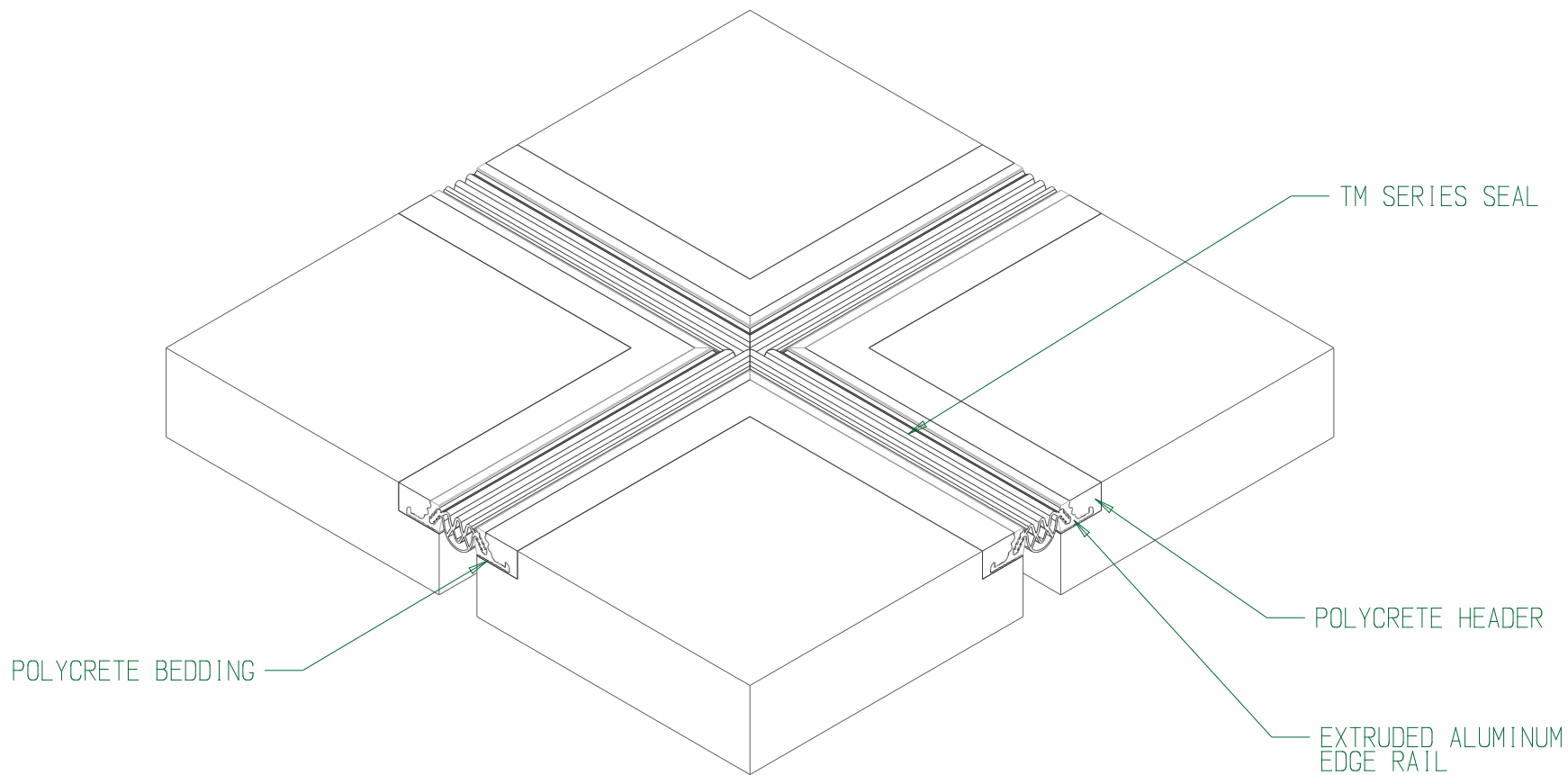
Date:

Scale: NTS

EMS Job #:

Sheet #:

Drawing #:



The information contained herein is the proprietary property of Erie Metal Specialties, Inc. No portion of it may be reproduced by any means or used in any form except for the purpose for which it was intended.

PROJECT:

TITLE: TM-SERIES - CROSS INTERSECTION DETAIL

Detailed by: GMH

Date: 7-03-07

Checked by:

Date:

Scale: NTS

EMS Job #:

Sheet #:

Drawing #: