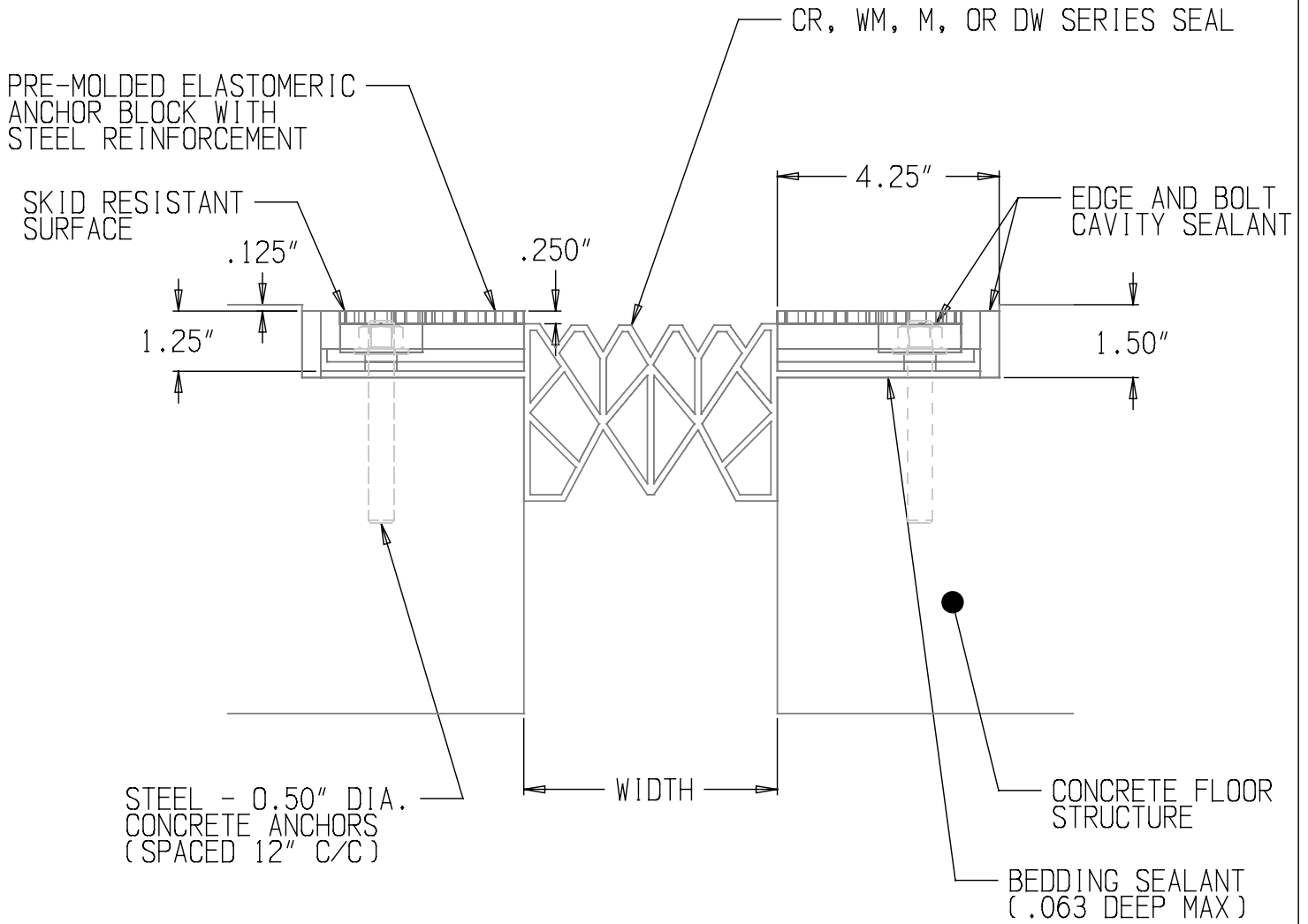


FLOOR TO FLOOR DETAIL



PRODUCT: EB SERIES	SCALE:	DRAWN BY:
DATE:	REV#:	DRAWING #: